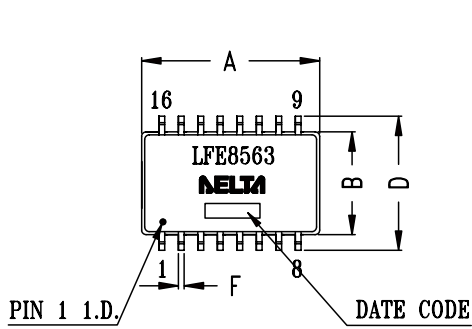




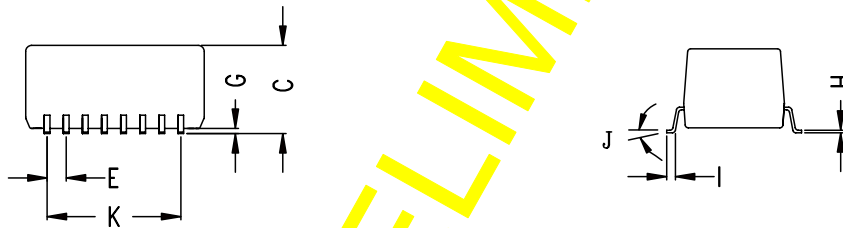
# SPECIFICATION FOR APPROVAL

CUSTOMER PART NO.: DELTA PART NO.: LFE8563 PART NAME: Lan filter	REV.: D

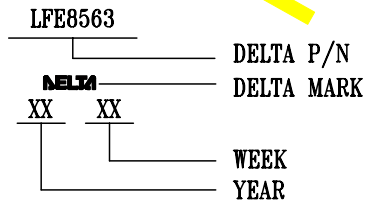
## 1. MECHANICAL DIMENSIONS :



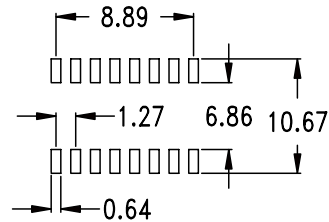
- UNIT:mm/inch
- A=12.90±0.254/0.508±0.010
  - B=7.10±0.254/0.279±0.010
  - C=5.95±0.254/0.234±0.010
  - D=9.45±0.254/0.372±0.010
  - E=1.27±0.127/0.050±0.005
  - F=0.46±0.127/0.018±0.005
  - G=0.254±0.127/0.010±0.005
  - H=0.254±0.127/0.010±0.005
  - I=0.38~1.27/0.015~0.050
  - J=0°~8°
  - K=8.89±0.127/0.350±0.005



## 2. MARKING AND RECOMMENDED PCB LAYOUT :



MARKING



SUGGESTED PAD LAYOUT

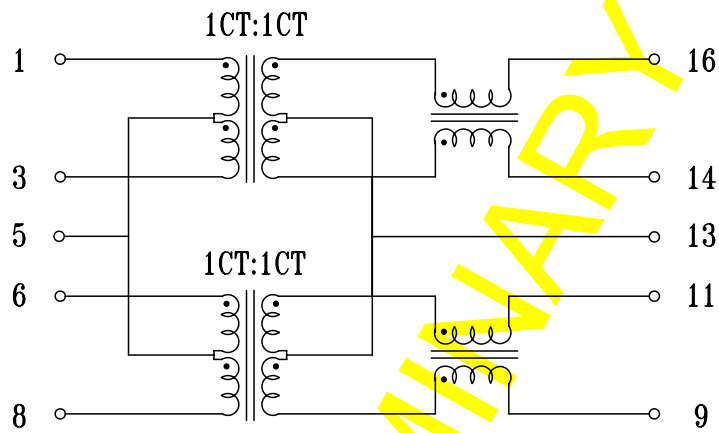
\* This specification is the proprietary of Delta Electronics, Inc.  
 \* This specification is only for preliminary review. If formal specification is required, please contact with our local Sales office or Rep.



# SPECIFICATION FOR APPROVAL

CUSTOMER PART NO.: DELTA PART NO.: LFE8563 PART NAME: Lan filter	REV.: D

### 3. CIRCUIT SCHEMATIC:



\* This specification is the proprietary of Delta Electronics, Inc.  
\* This specification is only for preliminary review. If formal specification is required, please contact with our local Sales office or Rep.



## SPECIFICATION FOR APPROVAL

CUSTOMER PART NO.:  
DELTA PART NO.: LFE8563  
PART NAME: Lan filter

REV.: D



#### 4. ELECTRICAL CHARACTERISTICS (TEMP: 25°C, HUM: 65% RH)

4.1 PRIMARY INDUCTANCE: @100KHz,0.1Vrms,8mA DC BIAS  
350uH MIN.

4.2 INSERTION LOSS: (TX & RX)  
1-100MHz -1.0dB MAX.

4.3 RETURN LOSS: (TX & RX)  
1-30MHz -18dB MIN.  
30-60MHz -12dB MIN.  
60-80MHz -10dB MIN.

4.4 CROSS TALK:  
1-60MHz -38dB MIN.  
60-100MHz -30dB MIN.

4.5 TURNS RATIO: @100KHz  
TX: 1:1±5%  
RX: 1:1±5%

4.6 HI-POT TEST: @60Hz  
(PRI TO SEC) : 1500Vrms,60SEC

PRELIMINARY

- \* RoHS compliant
- \* SOLDER WIRE SAC 305 Sn 96.5/Ag 3.0/Cu 0.5
- \* Use Pb:Sn=w95:w5 solder for internal connection  
which is exempted from RoHS regulations
- \* OPERATE TEMPTARE: 0~70°C
- \* Unit wight : 1.2084g

\* This specification is the proprietary of Delta Electronics, Inc.  
\* This specification is only for preliminary review. If formal specification is required,  
please contact with our local Sales office or Rep.