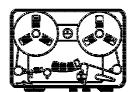
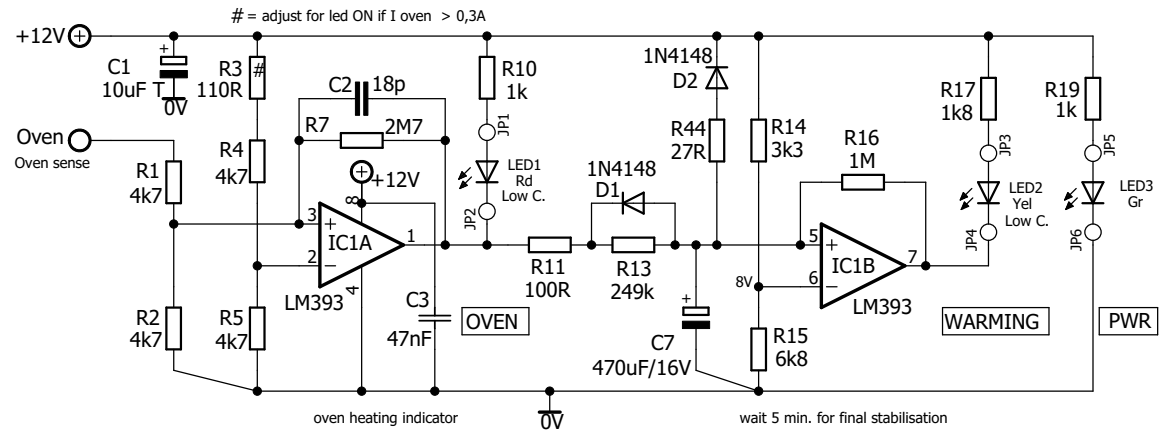


\*\* Adjust R20A for 2Vtt output level.  
(compensation for differences in OCXO output levels, nominal OCXO load is 50R)

OUTPUT LEVEL:  
2 Vtt in 50 Ohm  
= 0,71Vrms in 50 Ohm  
= +10 dBm



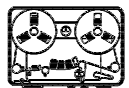
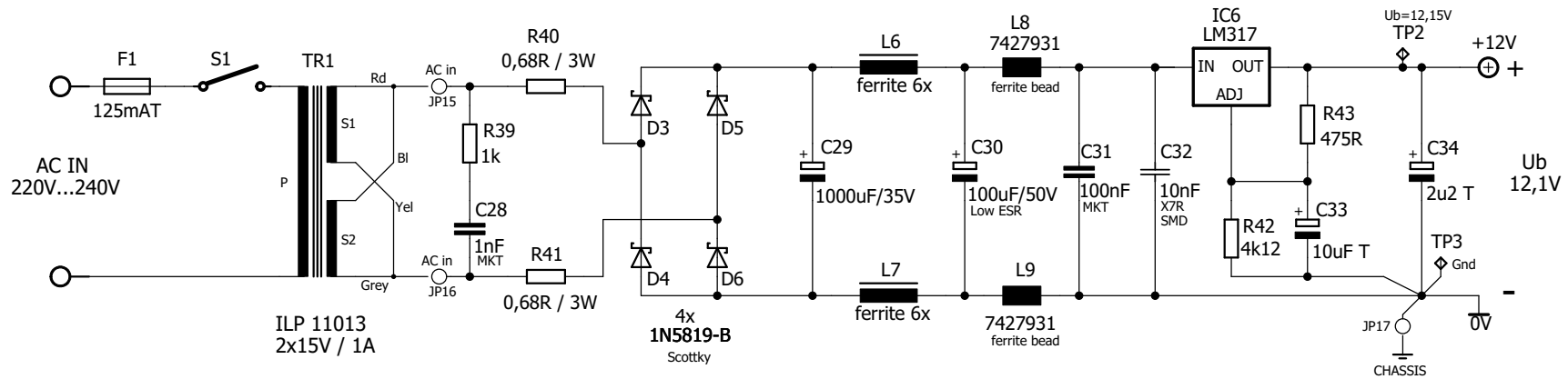
Miedema Geluidstechniek  
Rika Hopperlaan 20 3584 GN Utrecht  
Tel. 030-2511913 info@miedemageluid.nl

TITLE: Mietro 10MHz Master Clock

File: 10MHz OCXO194 (Eagle V7.5) REV: 1.94

Date: 06-07-2020 13:23 Get: Gertjan Miedema

T1 - T4 10MHz output transformer info:  
<https://www.circuitsonline.net/forum/view/message/1730773#1730773>



Miedema Geluidstechniek  
 Rika Hopperlaan 20 3584 GN Utrecht  
 Tel. 030-2511913 info@miedemageluid.nl

TITLE: Mietro 10MHz Master Clock - voeding

File: 10MHz OCXO194 (Eagle V7.5) REV: 1.94

Date: 06-07-2020 13:23 Get: Gertjan Miedema

H1 MOUNT-HOLE2.8

H2 MOUNT-HOLE2.8

H3 MOUNT-HOLE2.8